

ALIEN



**INSTRUCTION
MANUAL**

ALIEN REMUS FIRST EDITION



PATENTED

PEO



SAFE HANDLING INSTRUCTIONS	4
DESCRIPTION AND TECHNICAL DATA	6
AMMUNITION	7
PISTOL HANDLING	8
STRIPPING AND ASSEMBLY	12
SIGHT ATTACHEMENT + ADJUSTMENT	23
CLEANING AND MAINTENANCE	30
LIST OF PARTS	34
TROUBLESHOOTING	42
WARRANTY TERMS AND CONDITIONS	44

1**SAFE HANDLING
INSTRUCTIONS**

Read this instruction manual carefully and follow all of the safety instructions below, which will alert you to the possible risks associated with the use of this product. Should you ever lend or sell this firearm to another person, you must always provide them with this operating and maintenance manual. All manuals are also available on our KNOWLEDGE CENTER, where you'll also find a model overview, technical and operational tips, and videos covering our entire product line.

When handling the pistol, always follow the safety instructions and treat it as if it were loaded. The manufacturer is not liable for damages caused by improper handling, interference with the weapon mechanism, non-compliance with safety instructions, or damage to the weapon due to the use of unsuitable ammunition. Familiarize yourself thoroughly with these operating and maintenance instructions before handling the weapon for the first time.

AVOID THESE DANGEROUS ACTIVITIES IN PARTICULAR:

- Never point the firearm at anything you do not intend to shoot at
- Always point in a safe direction, even if the firearm is unloaded
- Always keep the pistol under control when in use and never leave it unattended
- Before use check the pistol for barrel obstructions, corrosion, damage, etc.
- Do not use hand loaded ammunition; use only original full metal jacket or semijacketed ammunition (FMJ, MJ, JHP, SP) of appropriate calibre and quality
- Never use the pistol when under the influence of intoxicating substances (alcohol, drugs, etc.)
- Use glasses and ear protection to protect your vision and hearing (shooting glasses, safety earmuffs, etc.)
- Do not put your finger on the trigger until you are ready to shoot
- Always consider the risks of your surrounding environment (ricocheting, poor visibility, etc.)
- Always make sure that the pistol is unloaded before handing it to or taking it from another person
- Never tamper with the mechanism of the pistol or modify the pistol parts in any way





-
- If you are unsure about the correct function of the firearm or its safety, contact the authorized service Center
 - Observe the rules and regulations of the shooting range or facility where you are using your pistol
 - Store the pistol unloaded and duly secured against the misuse of other persons, and keep it separate from the ammunition

THE PISTOL HAS THE FOLLOWING SAFETY FEATURES:

- Trigger safety
- Drop safety block
- Ultralight firing pin
- Out of battery fire block
- Hammer status indicator
- Manual Safety

CONTACT THE AUTHORIZED SERVICE CENTRE:

Laugo Arms Czechoslovakia s.r.o.,
Pražská 9, Blansko 678 01,
Czech Republic
service@laugoarms.com

DESCRIPTION AND TECHNICAL DATA

The ALIEN pistol is a semi-automatic pistol with a low bore axis and fixed barrel, using the principle of gas piston delayed blowback. It is equipped with a trigger mechanism with a hybrid inverted hammerless system (HIHS). The frame is divided. The upper frame is made of top-quality stainless steel, and the actual pistol grip is made of high-quality aerospace-grade aluminum alloy.

CHARACTERISTIC PROPERTIES:

- Lowest bore axis
- Gas piston delayed blowback
- Crisp, responsive trigger with a reduced pull weight minimal travel and positive short reset.
- One-click interchangeable top rails
- Non reciprocating upper rail with sights
- High-accuracy fixed bull barrel
- Semi integral slide with low centre of gravity
- Highly customizable modular design
- Interchangeable grips
- Hybrid inverted hammerless system (HIHS)

TECHNICAL DATA

Length	184mm/7'2"
Width	29mm/1'1"
Barrel length	100mm/3'9"
Weight	825g/1,81lbs
Trigger Pull	15N, 3,3lbs.
Standard mag. capacity	15 rounds
Bore axis	1,7mm below grip axis
Recoil Angle	4 degrees
Sight radius	154mm

AMMUNITION



Always use original ammunition complying with the standards for ammunition manufacturers and approved by CIP or SAAMI. Using other ammunition may cause damage to the firearm or injury to the shooter.

It is recommended to avoid pulling the trigger on an empty firearm, as this can cause unnecessary wear on your weapon over time. For safe, effective practice without live ammunition, we suggest using dummy rounds, also known as snap caps. These are designed to cushion the impact of the firing pin, protecting your firearm while allowing you to practice safely.

The firearm has been designed to use only ammunition of the following type: FMJ, MJ, JHP, SP. Using any other kind of ammunition may lead to irregular functioning of the firearm, and the manufacturer bears no responsibility for damages caused by the use of non-standard ammunition.

**USE OF NON-JACKETED AMMUNITION
IS STRICTLY PROHIBITED**

4**PISTOL HANDLING****POINT IN A SAFE DIRECTION!**

1. Remove the magazine by pushing the magazine catch (fig.1)
2. Pull the slide fully to the rear and make sure the chamber is empty (fig. 2)
3. Release the slide forward
4. With the firearm pointed in a safe direction, pull the trigger.

LOADING OF THE MAGAZINE

Hold the magazine with the mouth pointing upwards. Place a cartridge on the front of the follower and push it down and back until it touches the rear wall of the magazine (fig. 3). Place the next cartridge on top of the previous one and insert it in the same manner. If there are several cartridges in the magazine already, push the magazine column with the thumb of the hand holding the magazine.

The number of rounds in the magazine may be monitored through the holes on both sides of the magazine. Do not exceed the magazine capacity, as this may result in incorrect insertion of the first round into the chamber.



LOAD AND MAKE READY

Insert the loaded magazine into the pistol and make sure it is secured PROPERLY with the magazine release. Pull the slide to its rearmost position and release it. This causes the trigger and striking mechanism to be cocked and a round to be inserted into the chamber. The pistol is now ready to fire. When loading, always APPLY SAFETY INSTRUCTIONS and keep the pistol pointed in a safe direction!

P.T.R. – PUSH TO RACK:

Slide operation by using the Red Dot Sight (NEW)

The P.T.R. system allows slide manipulation, making it easier, faster, and more efficient while keeping the red dot sight stationary during firing. By utilizing the red dot sight as a racking assist, the P.T.R. system offers an intuitive and ergonomic solution for any situation.

Fig. 01 – During the racking motion, use your weak hand to press the carriage lever with the back of your hand or index finger. This releases the carriage along with the red dot sight.



Fig. 02 – Continue the motion smoothly, pulling the carriage with the red dot sight and the slide to the rear position.

From the rear position, allow the pistol's recoil spring to return the slide and red dot sight smoothly to the battery.

OPERATING THE SAFETY (NEW)

Fig. 1 SAFETY OFF Position.

Fig. 2 SAFETY ON Position. The safety can only be engaged in the SAFETY ON position when the hammer is cocked!

Important: Never engage the safety with the hammer decocked!



1



2

RELOAD

After the last cartridge has been fired, the slide stays in its rear position. To continue shooting remove the empty magazine and insert a loaded one. Push the slide stop downwards (Fig. 1,2) or pull the slide back and release it. The pistol is now loaded again and ready to fire.

UNLOAD AND SHOW CLEAR!

POINT IN A SAFE DIRECTION!

1. Remove the magazine by pressing the magazine catch.
2. Pull the slide fully to the rear and make sure the chamber is empty
3. Release the slide forward
4. Ensure you have a proper grip and shooting stance.
5. With the firearm pointed to the safe direction, pull the trigger.



1



2

5

STRIPPING AND ASSEMBLY**POINT IN A SAFE DIRECTION!**

- Remove the magazine (fig. 1).
- Ensure the pistol is unloaded by pulling the slide to its rearmost position, and visually confirm that no ammunition is present in the chamber. (fig. 2).
- Pull the slide to its rearmost position and release it, ensuring that the cocking indicator is now protruding from the rear of your Alien.

- Fig. 3 Manipulation with the slide is necessary to cock the hammer and subsequently remove the rail;
- Fig. 5 Press the marked front area of the rail with your thumb or palm. This will release the latch for the next step.
- Fig. 6 Use the thumb of your weak hand to press and hold the latch lever in the direction of the arrow.
- Fig. 7 While keeping the latch lever pressed, use your weak hand's thumb to firmly push the rear part of the rail forward in the direction of the shot.





3



4



5



6



7

Figs. 8 & 9 Remove the rail from the pistol.

Fig. 10 Pull the slide backward approx. 15mm and up.

Fig. 11 Lift the rear part of the slide further and remove the slide from the frame.

Fig. 12 Push the recoil assembly to the forward position, slightly lift the front connector of the recoil assembly, and remove it from the pistol.

Fig. 13 The disassembly of the pistol is complete.

Fig. 14 Warning! Never release the hammer by manually manipulating or pressing the sear. This will cause damage to your Alien. (fig. 14). The hammer should be in the cocked position for both disassembly and reassembly.



11



12



13



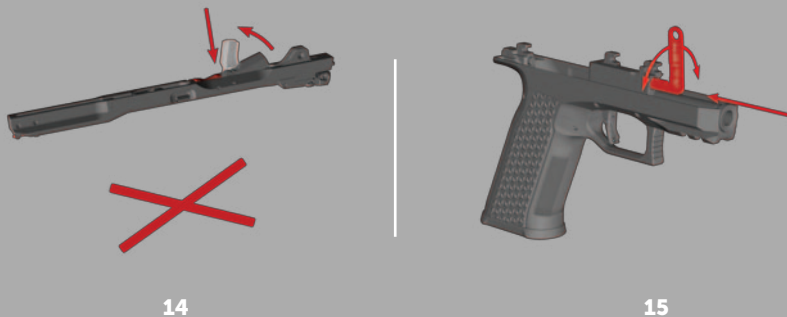
Fig. 15 Animation referring to the Cleaning & Maintenance section.

Fig. 17 Refer to the Creator model.

Fig. 18 Attach the rail with the hammer cocked onto the slide in the position shown, ensuring that the front of the rail is approximately 3 mm ahead of the front of the slide.

Fig. 19 Hold the rail pressed against the pistol and simultaneously push the front of the rail into its final position.

Fig. 20 Check the position of the latch lever. Important: The correctly installed rail must have the latch lever in the upper position.



REASSEMBLY

- Insert the recoil spring assembly (fig. 16).
- First, insert the slide by hooking it onto the recoil spring assembly and then slightly pull it backwards and down (fig. 17).
- Position the top rail (fig. 18) and push it into its rearmost position until it clicks and aligns with the front locking hole (fig. 19, 20) – until you feel a click.
- Visually check if the take down button is in the "OK" position.





STRIPPING THE MAGAZINE

The REMUS magazine is equipped with a sliding base pad that is very easy to remove and this operation does not require any tools.

Move the base pad L (E04) to the disassembly position and then slightly push the baseplate forward. Then place your thumb above the baseplate to secure the spring and with your other hand, remove the baseplate completely. During this procedure, be very careful to prevent injury by the ejected spring. Wearing safety glasses is highly recommended.

Video - Magazine Maintenance can be found in our knowledge center website:



Do not disassemble any parts of the pistol other than those specifically addressed in this manual. If you believe the pistol requires adjustments or repairs, please take it to a certified workshop or contact an official service center. This will ensure your firearm receives proper care and remains in safe, reliable condition.

REMUS GRIP

USER ASSEMBLY INSTRUCTIONS FOR THE REMUS GRIP

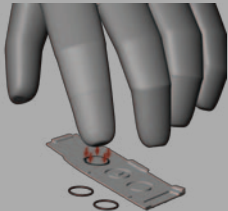
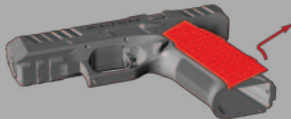
- **Grip screw removal (fig. 1).**
Use a T10 wrench to loosen and remove the grip screw.
- **Magwell removal (fig. 2).**
Slide the magwell to the rearmost position and pull it downwards.
Then, pull it downwards from the pistol.
- **Backstrap removal (fig. 3).**
Grip the pistol firmly with your thumb and forefinger. Use your thumb to slide the backstrap downward along the magazine shaft to remove it.
- **Left grip panel removal.**
Use your thumbs to push the grip panel down approx. 1,2mm (fig. 4) then tilt it by approx. 10° and then remove it from the grip (fig. 5).
- **Right grip panel removal (fig. 6).**
Use your thumbs to push the grip panel down approx. 1,2mm (fig. 4) then tilt it by approx. 10° and then remove it from the grip (fig. 6).
- **This completes the disassembly of all modular grip components. (fig. 7).**
- **O-Ring assembly into the grip (fig. 7a).**
Press three of the provided O Rings into the corresponding grooves on the inside of each grip panel. Press each ring several times with your finger to ensure a full seal. Before installing onto the pistol, invert your O-ring installed grip panel and ensure all O-rings stay in their position, to confirm all O-rings are properly seated.
- **Securing selected areas (fig. 7b).**
Apply a drop of Loctite 243/242 adhesive to the areas indicated in fig. 7b. Complete this step only after you are satisfied with the format of your modular grip. If you are still testing different formats, skip this step and continue with the assembly.
- **Left grip panel installation (fig. 8).**
Insert the upper locking tab of the panel into the recess in the frame, then, press the grip upward toward the slide until it is securely seated in place (fig. 9)



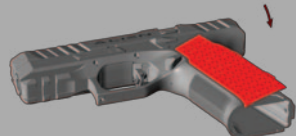
• T10



1.2 mm (0.05")

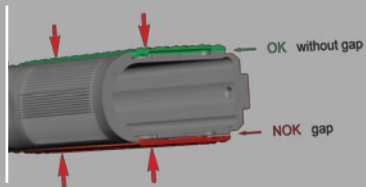


LOCTITE 242 / 243





9



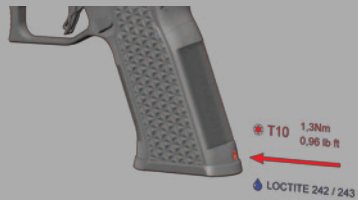
10



11



12



13

-
- **Right grip panel installation (fig. 9).**
Use the same method as with the left grip. (fig. 8, 9)
 - **Visual check of the grips placement (fig. 10).**
Visually inspect to ensure there are no gaps or misalignments between the grip panels and the pistol grip.
 - **Backstrap installation (fig. 11).**
Hold both grip panels and align the backstrap with the yellow-marked mounting slots. Slide it in the direction of the arrows. Make sure the locking tabs on the grip panels are fully seated before applying any pressure. If you encounter resistance from the backstrap, do not force it into position.
 - **Magwell installation (fig. 12).**
Insert the locking tabs into the grip, then slide the magwell forward until it reaches a firm stop.
 - **Grip screw reinsertion (fig. 13).**
Apply a drop of Loctite 243/242 adhesive to the last few threads of the screw. Use a T10 key to tighten the screw to 1.3Nm (0.96lb*ft).





1

SIGHT ATTACHEMENT + ADJUSTMENT

IRON SIGHTS ADJUSTMENT

The iron sights are adjustable for both elevation (vertical point of impact adjustment) and windage (horizontal point of impact adjustment). The sight adjustments use a reference point of 25 meters (~82 feet).

The windage can be adjusted via the screw on the right side of the rear sight - turning the screw clockwise will shift the point of impact to the right. Turning the screw counterclockwise will shift the point of impact to the left. One-click on the windage adjustment screw will shift the point of impact horizontally by 8 mm at 25 meters.

Warning: Do not exceed 8 clicks in either direction from the center position to avoid collision with the slide edges! Refer to Fig. 3

The elevation can be adjusted with the screw on the top of the rear sight. Turning the elevation screw counter-clockwise will shift the point of impact up. Turning the screw clockwise will shift the point of impact down. One-click on the elevation adjustment screw will shift the point of impact vertically by 10 mm at 25 meters.



RED DOT INSTALATION

RED DOT SIGHT INSTALLATION INSTRUCTIONS

Optic Mounting Options

Your REMUS comes equipped with three optic mounting plates featuring standardized interfaces for:

- Trijicon RMRcc
- Shield RMS
- Aimpoint ACRO

The package also includes four different sets of screws, compatible with:

- Trijicon RMRcc
- Holosun EPS Carry
- Shield RMSw
- Vortex Defender CCW

Follow the steps below to securely attach your preferred red dot sight.





PATENT

MADE IN
USA

Trijicon

FIRST EDITION

ALIEN
REMUS

PATENTED

-
- Fig. 1** Rail as packaged with the pistol.
- Fig. 2** Loosen the stop screw on the rail's underside using a 1.5mm hex key (3–4 turns).
- Fig. 3** Press and hold the carriage lever, then slide the carriage out of the rail. Perform this step above a table to avoid losing small parts.
- Fig. 4** Turn the rail over and remove the roller and spring wire.
- Fig. 5** Select the appropriate red dot sight and carriage as per the provided scheme on the end of this section. Attach the red dot sight using the correct screws. Apply Loctite 243/242 to both screws and tighten to a torque of 1.3 Nm (0.96 lb*ft).
- Fig. 6** Inspect the carriage's underside. Remove excess Loctite and ensure no screw protrudes beyond the green-marked areas.
- Fig. 7** Unscrew the stop screw to the position shown and apply a small drop of Loctite 243/242 to its thread. Complete steps 7 to 11 within 3 minutes.
- Fig. 8** Screw the stop screw back into alignment with the rail, ensuring excess Loctite is removed.
- Fig. 9** Insert the spring wire and then the roller back into the rail.
- Fig. 10** Slide the carriage with the red dot sight onto the rail.
- Fig. 11** Secure the carriage stop screw. Tighten gently to the stop, then loosen by ½ turn. Complete steps 7 to 11 within 3 minutes.
- Fig. 12** With the carriage lever pressed, verify the carriage moves freely on the rail and stops in the rear position. Allow the adhesive to cure for 4 hours at 20 °C.

Final Note: When attaching the rail with the carriage to the weapon, ensure the carriage is locked in the front position using the carriage lever.

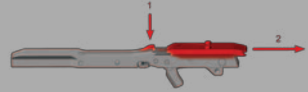


1



3-4 COUNTER CLOCKWISE TURNS

2



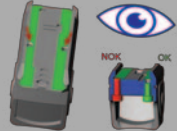
3



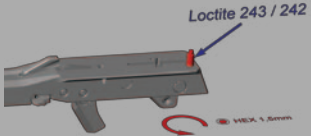
4



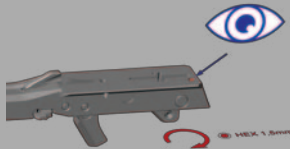
5



6



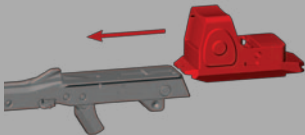
7



8



9

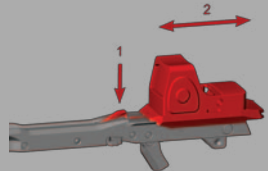


10



1) SCREW GENTLY TO THE STOP
2) TURN BACK 1/2 TURN

11



12

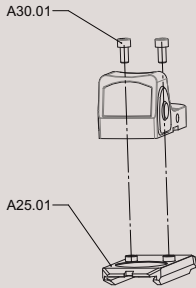
LIST OF PARTS

screws for Red Dot attached

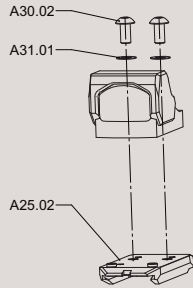
A30.01	(5-40 UNCx 1/4")
A30.02+A31.01	(M4x8+PLASTIC SPACER)
A30.03	(M4x9,6)



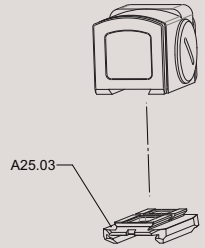
TRIJICON RMRcc



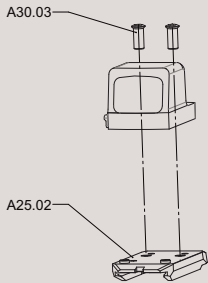
SHIELD RMSw



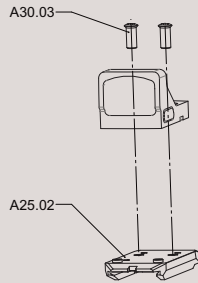
AIMPOINT ACRO



HOLOSUN EPS CARRY



VORTEX DEFENDER CCW



CLEANING AND MAINTENANCE



Your Alien Remus pistol should be cleaned after every use, as soon as possible after firing, and every time it has been exposed to moisture or any other harsh climatic condition. In temperate climates, clean the pistol at least once a year, in adverse climatic conditions at least once a month.

CHAMBER AND BORE CLEANING

If the pistol has not been used yet or if only a few rounds have been fired, wipe the bore and the chamber with a dry cloth attached to a cleaning rod or use a boresnake cleaner. Keep changing the cleaning cloth until it comes out clean.

If the bore is heavily soiled, apply a little cleaning fluid to the bore and chamber with a brush, leave for about 10 minutes (time required for the cleaning fluid to work may vary) and clean with a brush. Dry the bore and the chamber with a clean cloth and check that all combustion residue has been removed.

Repeat the procedure if necessary.

Slide the cleaning stick and brush away from the chamber to avoid damaging the muzzle. Before changing the direction of cleaning, push the brush through the entire length of the barrel. If you change the direction of movement with the brush in the barrel, it may get stuck.

OTHER PARTS CLEANING

If the pistol is brand new or only a few rounds have been fired, wipe the bore and the chamber with a dry cloth attached to a cleaning rod or use a boresnake. Keep changing the cleaning cloth until it comes out clean. If the bore is heavily soiled, apply a carbon remover with a brush and leave for about 10 minutes (the time required for the cleaning fluid to work may vary), and clean with a brush. Dry the bore and the chamber with a clean cloth and check that all combustion residue has been removed. Repeat the procedure if necessary. Make sure you clean the barrel with both cleaning rods or brush only in one direction at a time. Slide the cleaning rod or a brush away from the chamber to avoid damaging the muzzle. Before changing the direction of cleaning, push the brush through the entire length of the barrel to avoid the cleaning tool being stuck in the barrel.



PISTON SYSTEM CLEANING

To keep your pistol functioning smoothly, it's essential to regularly clean the piston system. A high round count can create combustion residue that builds up in the piston chamber and on the piston itself, which, if neglected, can reduce performance over time.

Here's how to clean the piston system:

Apply Carbon Remover: Use the manufacturer-supplied Carbon Remover on the piston and piston chamber surfaces.

Wait 10 Minutes: Let the Carbon Remover sit for about 10 minutes to break down the residue.

Clean with the "L" Cleaner: Using the "L" cleaner from your accessories, scrub the piston chamber in a circular motion (see fig. 15 for reference).

Brush Away Residue: Use a brush to remove any leftover residue from the piston. If residue remains, use metal tools as needed for any stubborn buildup.

By following these steps regularly, you'll keep your pistol in top condition for reliable performance.

PRESERVATION

After cleaning, wipe down all parts with a cloth lightly dampened in preservation oil or, if preferred, apply a light coat of oil spray. Be sure to remove any excess oil to prevent buildup.

Dry the Bore: Before using your pistol, ensure the bore (barrel) is dry by running a clean cloth through it.

Cold Weather Tip: In cold conditions, avoid regular oil, as it can thicken. Either remove all oil or use a special cold-weather lubricant.

Long-Term Storage: If you plan to store your pistol for an extended period, especially in harsh conditions, apply preservation grease. Remember to clean it off thoroughly before using the pistol again.

Following these steps will help maintain your pistol's readiness and reliability in any conditions.

SERVICE PLAN: REPLACING THE SPRING BASE (PART NO. B34)

To maintain optimal performance and reliability, replace the Spring Base (Part No. B34) every 10,000 shots. Three replacement spring bases are included in the box.

REPLACEMENT STEPS

Unload the pistol and confirm the chamber is empty.

Disassemble:

Refer to the "Disassembly of the Pistol" section for detailed guidance.

Locate and Replace:

Identify the recoil spring set.

Pull the recoil spring away from the clip (Part No. B30) and unhook it from the recoil spring rod. Remove the recoil spring and the spring base. Install a new spring base securely.

Reassemble:

Slide the recoil spring back onto the recoil spring rod. Pull the spring to create space, then hook the rod back to the clip.

Confirm the proper operation by performing a function check after reassembly.

Maintain a record of shots fired to ensure the spring base is replaced on schedule. For additional spring bases, contact your authorized dealer or service center.

By following this service plan, you ensure your pistol operates reliably and efficiently.

THUMB REST APPLICATION

Your ALIEN REMUS includes two thumb rest designs, not pre-attached to prevent contamination from preservation oil. Follow these steps for proper application:

Clean the mounting area with isopropyl alcohol and ensure it is completely dry.

Prepare the Thumb Rest by peeling off the adhesive backing.

Align the thumb rest correctly (carbon model: extension faces downward). Refer to manual images for guidance.

Press the thumb rest firmly onto the mounting area.

Replacement Tips

Choose Wisely: Select a design carefully; frequent replacements are not recommended.

Avoid Liquids: Keep the thumb rest and mounting area free from CLP oil or carbon removers.

Inspect Regularly: Check for wear or detachment.

WASTE MANAGEMENT GUIDELINES

The materials used for the product and packaging, when used properly, do not have any negative effect on human health or the environment. In the event of the disposal of the product or its packaging, the metal parts (steel and non-ferrous metals), plastics, wood, paper, and cardboard are disposed of separately in containers designated for such purpose.

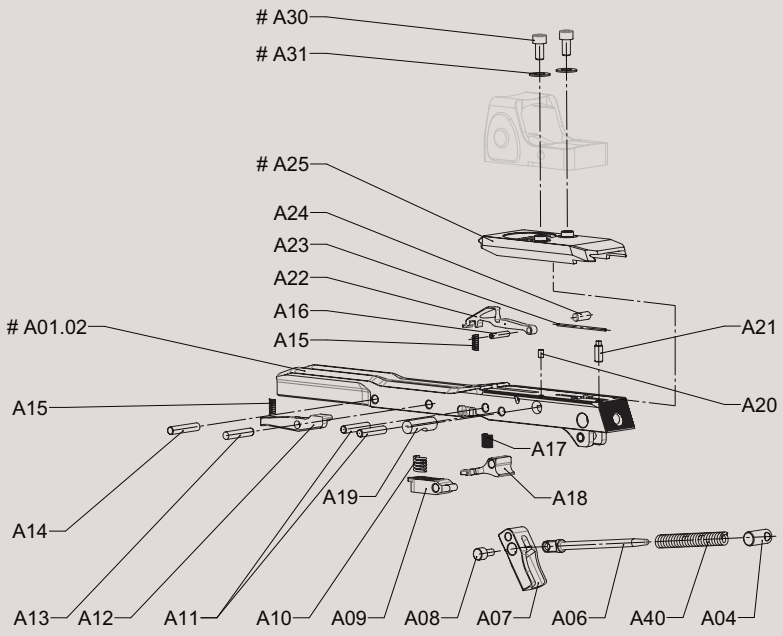
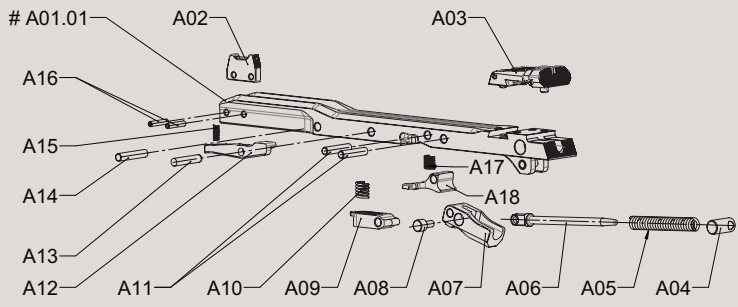


8**LIST OF PARTS****A**

A01.01	003-L102	UPPER RAIL
A01.02	003-L106	UPPER RAIL-COLIIMATOR
A02	C01-0051	FRONT SIGHTS
A03	C01-0012	ADJUSTABLE REAR SIGHT
A04	001-L230	ROLLER
A05	003-L311	HAMMER SPRING-C
A06	003-L210	HAMMER STUD
A07	003-L201	HAMMER
A08	001-L220	HAMMER BODY
A09	003-L250	PRESS
A10	001-L320	SPRING
A11	001-L275	HAMMER PIN
A12	003-L260	LATCH
A13	003-L119	LATCH PIN
A14	B40-0011	HOOK PIN
A15	001-Z202	SPRING
A16	B40-0013	FRONT SIGHT PIN
A17	001-L300	HAMMER CATCH SPRING
A18	003-L241	HAMMER CATCH
A19	001-L280	HAMMER BUFFER
A20	B10-0036	SCREW
A21	B10-0035	SCREW
A22	003-L113	CARRIAGE LEVER
A23	003-L110	SPRING
A24	B40-0017	NEEDLE
A25.01	003-L108	CARRIAGE-TRIJICON
A25.02	003-L109	CARRIAGE -SHV
A25.03	003-L107	CARRIAGE -ACRO

A30.01	C01-0025	COLIIMATOR SCREW-TRIJICON
A30.02	C01-0013	COLIIMATOR SCREW-SHIELD-M4x8
A30.03	C01-0019	COLIIMATOR SCREW-HOLOSUN-M4x9,6
A31.01	C01-0015	WASHER-SHIELD
A40	001-L310	HAMMER SPRING

Many other interchangeable accessories are available for the Alien pistol, contact your distributor.

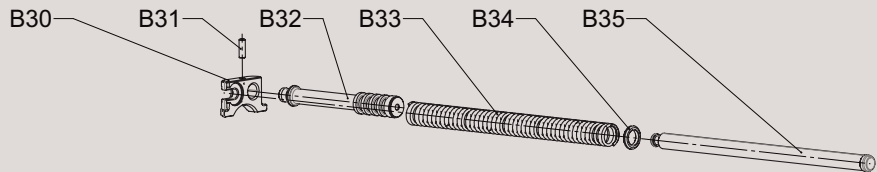
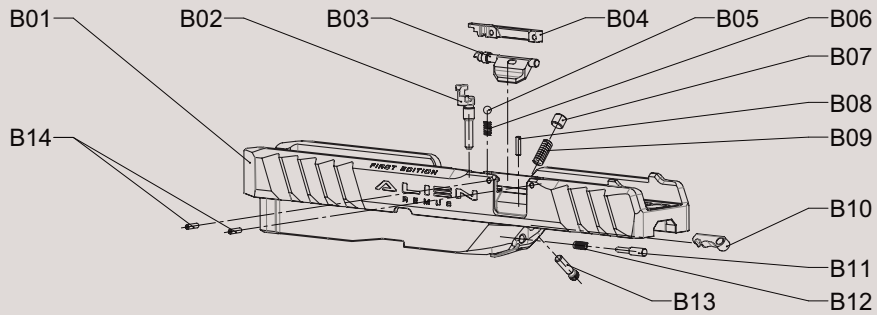


LIST OF PARTS

B

B01	003-Z00X	SLIDE
B02	003-Z301	TRIGGER BAR
B03	003-Z033	SAFETY LOCK
B04	003-Z036	PEN
B05	B40-0015	BALL
B06	003-Z290	SPRING
B07	001-Z104	EXTRACTOR SCREW
B08	B40-0009	PIN
B09	001-Z103	EXTRACTOR SPRING
B10	001-Z101	EXTRACTOR
B11	001-Z201	FIRING PIN
B12	003-Z201	SPRING
B13	001-Z102	EXTRACTOR PIN
B14	B40-0014	PIN
B30	003-V001	CLIP
B31	B40-0010	PIN
B32	003-V002	PISTON
B33	003-V006	RECOIL SPRING
B34	001-V004	SPRING BASE
B35	003-V003	GUIDE STUD

Many other interchangeable accessories are available for the Alien pistol, contact your distributor.

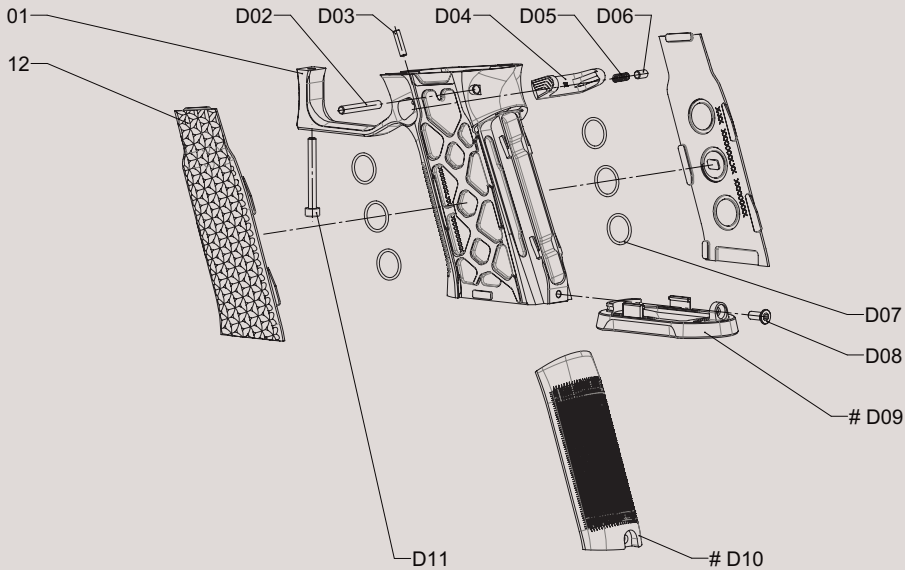
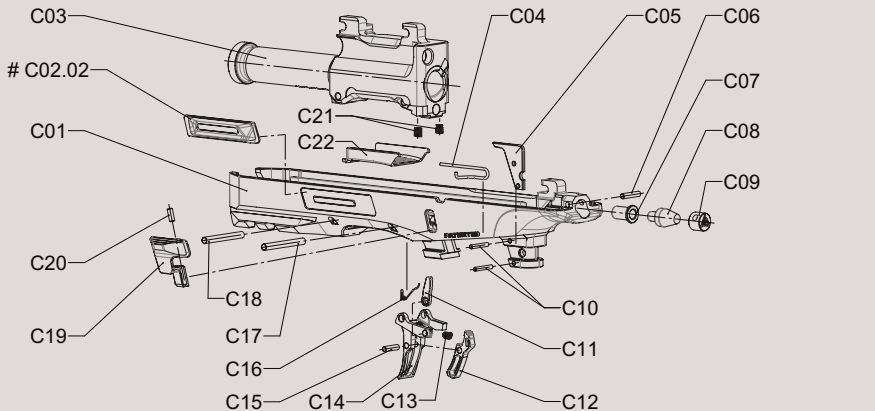


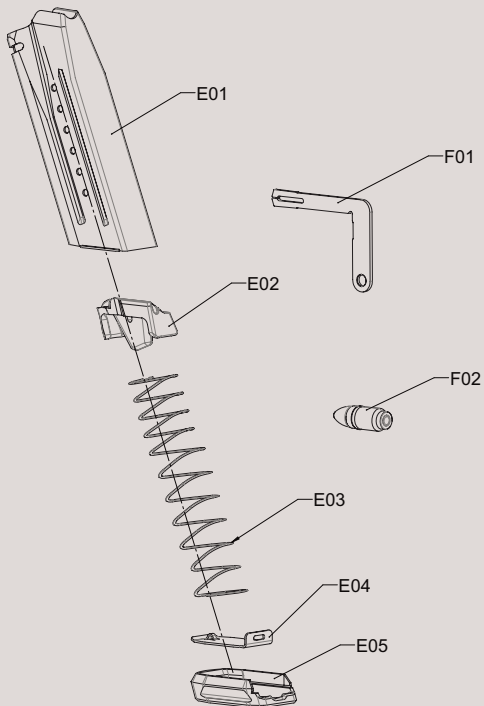
LIST OF PARTS**C**

C01	003-R001	FRAME
C02.01	003-R480	THUMB REST
C02.02	003-R481	THUMB REST CARBON SET
C02.03	003-R382	THUMB REST TAPE
C03	003-SR50	BARREL-ASSY
C04	001-R211	SLIDE STOP SPRING
C05	001-R151	EJECTOR
C06	B40-0016	PIN
C07	003-R181	BUFFER COVER
C08	003-R171	BUFFER
C09	003-R161	BUFFER TUBE
C10	B40-0005	PIN
C11	001-R132	DISCONNECTOR
C12	001-R121	TRIGGER SAFETY
C13	001-R126	SAFETY SPRING
C14	002-R112	TRIGGER-SMOOTH
C15	B40-0008	PIN
C16	001-R136	DISCONNECTOR SPRING
C17	001-R241	TRIGGER PIN
C18	003-R232	BARREL PIN
C19	003-R201	SLIDE STOP
C20	B40-0007	PIN
C21	001-R116	TRIGGER SPRING
C22	001-R221	HEATCOVER

D

D01	002-P016	PISTOL GRIP-AL
D02	B40-0003	PIN
D03	B40-0006	PIN
D04	002-P801	MAGAZINE CATCH
D05	001-P851	MAGAZINE CATCH SPRING
D06	B40-0001	PIN
D07	B60-0001	O RING
D08	B10-0001	SCREW
D09.01	002-P300	MAGWELL-S
D09.02	002-P330	MAGWELL-M
D09.03	002-P360	MAGWELL-L
D10.01	002-P232	REAR GRIP-M
D10.02	002-P242	REAR-GRIP-M-TAPE-SET
D10.03	002-P260	REAR-GRIP-L
D11	001-P101	SCREW
D12.01	002-P600	LEFT-RIGHT-GRIP-S-G10-SET
D12.02	002-P601	LEFT-RIGHT-GRIP-S-AL-SET
D12.03	002-P602	LEFT-RIGHT-GRIP-S-CARBON-SET
D12.04	002-P610	LEFT-RIGHT-GRIP-S-TAPE-SET
D12.05	002-P603	LEFT-RIGHT-GRIP-S-BRASS-SET
D12.11	002-P630	LEFT-RIGHT-GRIP-M-G10-SET
D12.12	002-P631	LEFT-RIGHT-GRIP-M-AL-SET
D12.13	002-P632	LEFT-RIGHT-GRIP-M-CARBON-SET
D12.14	002-P640	LEFT-RIGHT-GRIP-M-TAPE-SET
D12.15	002-P633	LEFT-RIGHT-GRIP-M-BRASS-SET
D12.21	002-P660	LEFT-RIGHT-GRIP-L-G10-SET
D12.22	002-P661	LEFT-RIGHT-GRIP-L-AL-SET
D12.23	002-P662	LEFT-RIGHT-GRIP-L-CARBON-SET
D12.24	002-P663	LEFT-RIGHT-GRIP-L-BRASS-SET





LIST OF PARTS

E

E01	003-X015	MAGAZINE BODY 15
E02	C02-0003	FOLLOWER
E03	C02-0006	MAGAZINE SPRING 15
E04	003-X004	BASE PAD L
E05	003-X001	MAGAZINE BASE 15

F

F01	003-U005	CLEANER
F02	001-SU01	TRAINING CARTRIDGE 9X19





TROUBLESHOOTING

If the firearm is used and maintained properly, malfunctions are rare. However, should one occur, please follow these instructions carefully. Malfunctions during firing increase the risk of accidental discharge, so it's essential to follow all safety guidelines strictly.

SAFETY PRECAUTIONS:

Keep the firearm pointed in a safe direction at all times.

Do not turn the firearm toward yourself or others.

Never place your hands in front of the muzzle.

If you use this pistol for personal defense or duty, we recommend practicing malfunction clearance techniques with "training cartridges." This practice can prepare you to handle potential malfunctions safely and confidently.

<p>Cartridge is not fed into the chamber or the slide is not locked.</p>	<p>Magazine is not fully inserted or is damaged.</p> <p>The firearm or the cartridges are fouled (dirty) or too much lubricant has been used or there is a random object in the ejection port or chamber.</p>	<p>Insert the magazine properly or use a different magazine.</p> <p>Clean the firearm and the cartridges dry or slightly lubricate.</p>
<p>Misfire.</p>	<p>Ammunition may be faulty.</p> <p>Firing pin hole is fouled or unsuitable lubricant has been used in low ambient temperature.</p>	<p>If the firearm does not fire after 1 minute, unload the firearm in a safe manner.</p> <p>Clean the firing pin hole and the firing pin or use a lubricant designed for low temperatures.</p> <p>Unload the firearm completely. Carefully check that no bullet is jammed in the barrel.</p>
<p>The cartridge case has not been ejected.</p>	<p>The chamber, extractor, or ammunition are dirty or unsuitable lubricant has been used in low temperatures.</p>	<p>Clean the firearm dry or lubricate slightly with suitable lubricant. Use clean or new ammunition.</p>

If the malfunction cannot be cleared in any manner described above, or if the firearm is damaged due to rough treatment or due to a fall, entrust it to a specialized workshop for inspection and repair

WARRANTY TERMS AND CONDITIONS

This product is covered by a warranty under the following terms and conditions:

SUBJECT OF WARRANTY AND THE WARRANTY PERIOD

The warranty covers only defects in material and defects caused by the manufacturer. If the product is used for the purpose for which it is intended and as described in the instruction manual, Laugo Arms Czechoslovakia s.r.o. guarantees faultless function of the product for the entire warranty period.

THE WARRANTY DOES NOT COVER:

- mechanical damage caused by the user or parts of the product affected by such damage
- damage and faults caused by negligent maintenance, failure to comply with the instruction manual and with the safety instructions, incorrect use, operating error, or unqualified intervention
- damage caused by storage in an unsuitable environment
- damage caused by using the product
- environmental damage
- defects that occurred due to modifications of the product and interference thereof performed outside Laugo Arms Czechoslovakia s.r.o. or outside an authorized service of Laugo Arms Czechoslovakia s.r.o., which resulted in a price reduction of the product
- defects caused by the use of non original parts
- defects caused by ammunition not complying with the CIP or SAAMI regulations, or not approved by the manufacturer
- wear and tear caused by normal use or damage caused by rough handling
- products that have not complied with the terms and conditions of the warranty

The warranty period provided by Laugo Arms Czechoslovakia s.r.o. for all products is 24 months or 30,000 rounds. The warranty period begins from the day of the sale to the customer.

During the warranty period, all defects, unless specified in the list of exceptions in this warranty card, shall be removed free of charge. If any part of the product is replaced under warranty during the warranty period, it becomes part of the product and is therefore covered by the warranty until the warranty period ends.



The warranty is valid under the condition that all repairs are performed by Laugo Arms Czechoslovakia s.r.o. or an authorized service center. The warranty period will be extended by the time the product is in repair.

Service Recommendation: The manufacturer strongly recommends a service check at an authorized service center or at the manufacturer's facility every 30,000 rounds, with the replacement of any worn parts as needed. If this service check is not performed by an authorized center or directly by the manufacturer, the warranty will be void. In this case, the manufacturer assumes no responsibility for any damage or injury caused by the product beyond its recommended service life.

WARRANTY TERMS AND CLAIMS

The customer is obliged to thoroughly inspect the product at the time of purchase, including the documentation, and to become familiar with its operation. In particular, the warranty certificate must be duly completed, stating the date of purchase, and proof of purchase (receipt) must be present. The customer is entitled to have the defect removed during the warranty period by Laugo Arms Czechoslovakia s.r.o. as the manufacturer, as well as by any authorized service of Laugo Arms Czechoslovakia s.r.o., regardless of where the product was purchased.

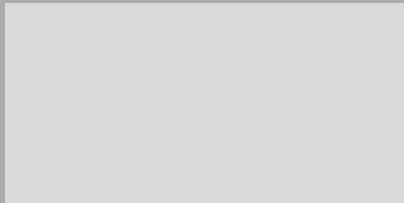
The warranty claim can be made only after submitting the original warranty card with the name of the store, the date of sale, and the original proof of purchase of the product (receipt), which states the type designation of the product, date of sale and name of the store.

If the claimant has acquired the product from a previous owner during the warranty period and his or her name is not stated on the original proof of purchase (receipt), he or she may file a claim upon submitting an agreement on the assignment of rights ensuing from the warranty, concluded with the first customer. In the event of non-acknowledgment of the claim, Laugo Arms Czechoslovakia s.r.o. may claim compensation from the claimant for the costs associated with the claim procedure.

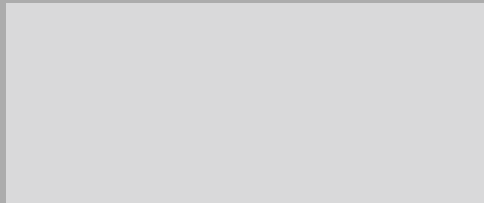
The period for settling a claim is 30 calendar days from the date of the claim being filed. A claim being filed means the physical handover/delivery of the product to an authorized service or to Laugo Arms Czechoslovakia s.r.o., unless agreed otherwise with the claimant.

Each warranty repair must be recorded in the warranty card.

Date of sale



Store stamp



rev. 12/2024





WEB



INSTAGRAM



FACEBOOK



YOUTUBE